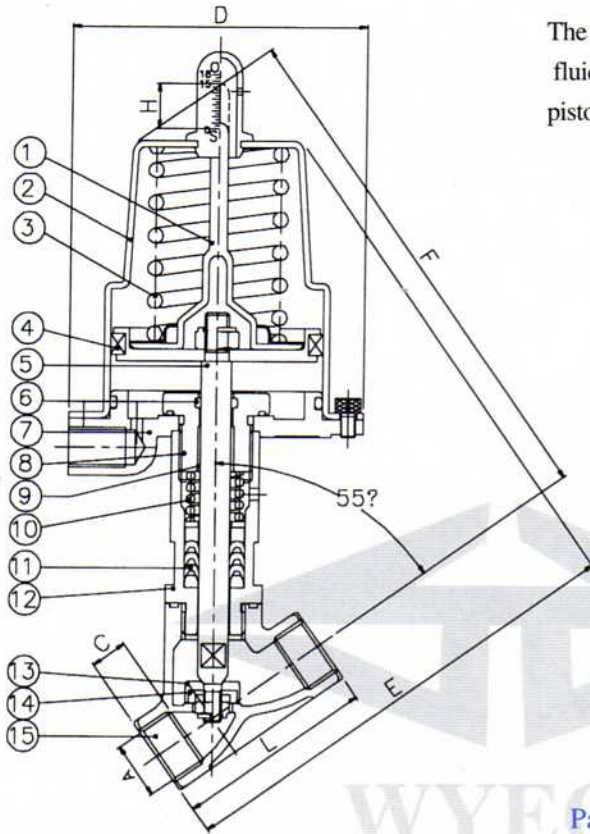




## Y-Type Cylinder Control Valve



The standard type is closed by spring-action with fluid pressure. When the actuator is pressured, the piston and valve plate is lifted up - the valve is open.



### Service:

For steam, air, water, oil and other fluids.

Operating Air Pressure: 3-5kg/cm<sup>2</sup>

### Dimensions

Valve Size		L	D	E	F	C	H
mm	A						
15	1/2	65	97	153	171	12	13
20	3/4	75	97	158	175	13	13
25	1	90	97	170	187	15	15
32	1-1/4	100	97	175	189	17	15
40	1-1/2	120	107	188	200	19	18
50	2	150	107	196	205	21	18

### Parts & Material

NO	Part Name	Material
1	Indicating rod	PA+Glass Fiber
2	Cover hood	SUS 304
3	Pressure spring	SWPB
4	Grooved ring	NBR
5	Valve stem	SUS 316
6	Ring	FKM
7	Actuator housing	SCS13
8	Gland	C3604
9	Dry Bearing	Teflon+Pb
10	Pressure spring	SUS 304
11	Sleeve	PTFE
12	Stem tube	SUS 316
13	Plug	SUS 316
14	Sealing Ring	RTFE
15	Body	SCS14